

3350

3360



# Cascade 5500, 7000

INSTALLATION AND OPERATING INSTRUCTIONS.  
READ INSTRUCTIONS CAREFULLY BEFORE ATTEMPTING INSTALLATION.

## Attention:

**AUTOMATIC CUT-OUT.** To help ensure your pump's long life and prevent damage, it is fitted with automatic thermal overload protection. This switches off the pump if it overheats. If this occurs, switch off the power at the mains supply to the pump. Check for the cause. Usually it will be debris blocking the inlets of the pump or obstructing the impeller. Remove the obstruction and wait 15 minutes for the pump to cool down and automatically reset. Then switch on the pump again.

## NOTE:

**YOU MUST SWITCH OFF THE MAINS SUPPLY BEFORE THE PUMP WILL RESET.**

From 1st January 2005 installing this product in the garden is classed as 'notifiable' in the revised Building Regulations for England and Wales. The Regulations now require you to tell your local authority building control department that you intend to install this product before installation. Your local authority will let you know how you can get your installation approved.

Cascade 5500-Hmax 4.9m  
Cascade 7000-Hmax 5.5m

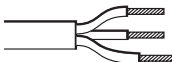
The Hozelock Cyprio Cascade pumps are electrically operated and designed for use in garden ponds and waterfalls. The pumps do not use oil or grease for lubrication and can be used safely in ponds containing fish or plants. The motor consists of a sealed stator and watercooled rotor. All electrical components are isolated from the water.

## WARNING: SAFETY AND ELECTRICAL CONNECTIONS

- The pump is supplied complete with 10m of 3-core electric cable, which is permanently connected and sealed to the motor. Under no circumstances should any repair be made to the cable.  
**THIS PRODUCT IS DESIGNED TO BE PERMANENTLY WIRED TO THE MAINS SUPPLY IN A DRY WEATHERPROOF ENCLOSURE THROUGH A DOUBLE-POLE SWITCHED FUSED SPUR - WITH A MINIMUM CONTACT GAP OF 3mm. (DISCONNECTOR) TO BS 3676 - FITTED WITH A 3 AMP FUSE.**
- If an extension cable is required, this should be connected to the end of the pump cable

using a weather-proof cable connector. The joint must be positioned outside the pond in a suitably dry housing.

The extension cable should be of 3-core, 0.75mm<sup>2</sup> Polychloroprene rubber insulated cable (ref H05 RN-F) and connected to the mains supply with a 3 amp fuse. **IT IS ESSENTIAL THAT THE PUMP IS CORRECTLY EARTHED AND THAT ALL CONNECTIONS ARE SECURELY MADE USING THE FOLLOWING CODE.**



Brown - Live  
Blue - Neutral  
Green/Yellow - Earth

The BROWN lead should be connected to the LIVE terminal, which may be marked with an 'L' or coloured brown or red.

The BLUE lead should be connected to the NEUTRAL terminal, which may be marked with an 'N' or coloured blue or black.

The GREEN/YELLOW lead should be connected to the EARTH terminal which may be marked with an 'E' or coloured green or green/yellow.

- The pump cable (and extension cable), should be positioned and adequately protected against damage especially where contact with gardening equipment (lawn mowers; forks etc), children and domestic animals may occur.
- A 10mA or 30mA Residual Current Device (RCD) MUST be fitted to the mains supply.
- For permanent installations to the mains supply, it is necessary to conform to the regulations of the National and Local wiring regulations which would include the use of plastic or metal conduit to protect the cable.
- The supply cord fitted to this pump can only be replaced using special tools. In the event of the cable becoming damaged return the pump to Hozelock Cyprio Consumer services at the address shown.
- CONSULT A QUALIFIED ELECTRICIAN OR LOCAL ELECTRICITY AUTHORITY, IF IN ANY DOUBT ABOUT WIRING TO THE MAINS SUPPLY.**

## IMPORTANT

- ALWAYS DISCONNECT THE MAINS ELECTRICITY SUPPLY WHILST THE EQUIPMENT IS BEING INSTALLED, REPAIRED, MAINTAINED, OR HANDLED.**
- Do not use the supply cable to lift the pump, as this may cause damage.
- Do not operate or leave the pump in freezing conditions.
- Do not allow the pump to run in dry conditions.
- Check that the voltage marked on the pump corresponds to the Mains Supply.
- We recommend looping a lifting cord

through the pump handle when the pump is installed in deep water.

- DO NOT OPERATE THIS PUMP WITHOUT A METHOD OF FILTRATION ATTACHED. USING THE PUMP WITHOUT A FILTER MAY INVALIDATE YOUR WARRANTY.**

If the filter supplied is not suitable for your application, Hozelock Cyprio can supply an additional range of filters which may suit your needs. For more details call Hozelock Cyprio Helpline on 0870 850 1959.

## PUMP INSTALLATION

**ATTENTION: This product is not suitable for water temperatures above 35°C**

### Position

Construct a solid and level platform on which to place the pump. For installations using the fountain, the top of the platform should be 230mm (9 inches) below the water level.

A typical installation is shown for guidance in fig.1.

### FOUNTAIN ONLY

- Place the pump next to the pond and route the cable back to the mains supply.
- Assemble the 'T' piece Adaptor and 3-Tier Fountain Head on the pump and place into position within the pond.
- The fountain height can be regulated by rotating the Flow Adjuster Screw.
- If required the 2-Tier Fountain Head can be used to achieve an alternative and higher display pattern.

### FOUNTAIN AND WATERFALL

- Position the pump as previously described.
- Remove the Blanking Cap and connect a suitable length of 25mm (1") bore hose by pushing directly over the threaded outlet boss.

**NOTE:** Small diameter hoses 13mm (1/2") and 19mm (3/4") can be used by fitting the outlet adaptor into the outlet boss. If small diameter hose is used the flow will be reduced.

- The combination of waterfall and fountain will reduce the fountain height that can be achieved.
- Route the hose back to the waterfall.

### WATERFALL ONLY

- For best results fit a suitable length of 25mm (1") bore hose directly on to the outlet of the pump. In some installations the water may not be deep enough and could cause the hose to become exposed above the pond surface. In this case fit the 'T' Piece Adaptor, remove the Blanking Cap and use the outlet boss with the Adjuster Screw fully tightened.

**NOTE:** Smaller diameter hoses 13mm (1/2") and 19mm (3/4") can be used by fitting an outlet adaptor either directly on the chamber of the pump or 'T' Piece Adaptor.

2. Route the hose back to the waterfall.

## NON-SUBMERSIBLE INSTALLATIONS -5500 ONLY

1. Cascade pumps can be operated out of the pond. In this case the pump should ideally be positioned below the water level to avoid having to re-prime every time the pump is started (see fig. 2). If the pump is not positioned below the water level, a non-return valve (not supplied) should be fitted to the end of the inlet hose left in the pond.
2. Remove the filter from the pump.
3. Fit a suitable length of 38mm (1 1/2") bore hose on to the inlet boss of the pump using a suitable worm-drive clip.
4. Connect a hose to the outlet of the pump for the waterfall, as previously described.
5. To prime the pump create a "U" loop with the hose ends and pour water down the waterfall outlet hose until the system is full. (If a non-return valve is fitted place the suction end straight into the pond making sure air does not enter).

**NOTE:** A suitable filter should be fitted to the inlet hose to prevent dirt, debris and small fish being sucked into the inlet hose.

6. Route the outlet hose to the waterfall.

## MAINTENANCE

The Hozelock Cyprio range of Cascade pumps have been designed to allow fast, easy maintenance. As with all pumps of its kind occasionally it will become necessary to clean the inlet filter and fountain head spray ring.

**ALWAYS ISOLATE ELECTRICITY SUPPLY.**

**CAUTION: PUMPS BECOME HOT. ALLOW TO**

## COOL IN WATER BEFORE DISMANTLING

### FOUNTAIN HEAD

1. Place a coin or similar in the slot and gently lever off the fountain head.
2. Rinse in clean water and reassemble.

### FILTER

1. Holding the pump in one hand, press down the retaining clip on the filter cover and pull away from the main body.
2. Wash/rinse with clean water - re-assemble.

**If the pump is to be stored over winter or needs dismantling for any reason, proceed in the following manner (see fig. 3).**

1. Remove the filter as described above.
  2. Release the pump chamber by rotating it clockwise until the three bayonet lugs are clear from the sockets.
  3. Gently pull the pump chamber squarely away from the main body.
  4. Pull the rotor assembly out of the pump body. If necessary a screwdriver can be used in the slots provided to lever the rotor assembly away from the pump body. (Further dismantling of rotor is unnecessary).
  5. Clean out all components in clean water.
- DO NOT USE DETERGENTS OR OTHER CHEMICAL CLEANERS.**
6. Place the rotor assembly into the pump body ensuring the four holes in the front bearing plate locate correctly over the four lugs on the motor body. (fig. 3).
  7. Re-fit the pump chamber, and filter cover.

## HOZELOCK CYPRIO 3 YEAR GUARANTEE

If this pump becomes unserviceable within 3 years of the date of purchase it will be repaired or replaced at our option free of charge, unless in our opinion it has been damaged or misused. To obtain the benefits of this guarantee firstly contact Hozelock Cyprio Consumer Services who may request that the

pump is sent along with proof of purchase direct to the address shown:-

**DAMAGE CAUSED BY RUNNING THE PUMP DRY OR BY FROST INVALIDATES THE GUARANTEE.**

## IF YOUR CASCADE PUMP FAILS TO OPERATE

If you live in a hard water area, calcium build up between the bearings may cause them to seize. The bearings may be freed by removing the rotor assembly from the pump and placing it in a de-scaling solution. After this time the front bearing plate (see fig 3) should freely rotate. Replace rotor assembly as previously described. (See maintenance No. 6).

## SPARE PARTS

(see fig. 4). Contact Helpline on 0870 850 1959.

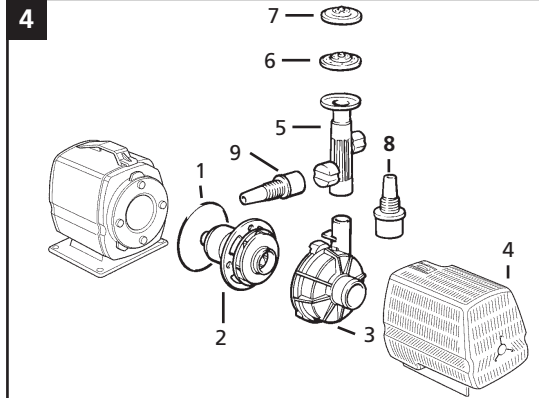
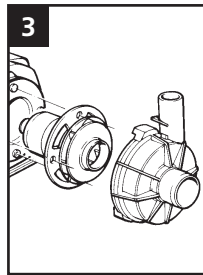
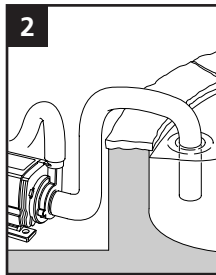
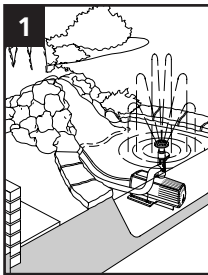
|                            | Part Number |        |
|----------------------------|-------------|--------|
|                            | 5500        | 7000   |
| 1 'O' Ring Seal            | Z31965      | Z31965 |
| 2 Rotor Assembly           | Z31996      | Z31997 |
| 3 Pump Chamber             | Z31846      | Z31846 |
| 4 Strainer Cage            | Z31825      | Z31925 |
| 5 'T' Piece Assembly       | Z31135      | Z31135 |
| 6 3 Tier Fountain Head     | Z31185      | Z31185 |
| 7 2 Tier Fountain Head     | Z31195      | Z31195 |
| 8 Outlet Adaptor Chamber   | Z31205      | Z31205 |
| 9 Outlet Adaptor 'T' Piece | Z31215      | Z31215 |

### Hozelock Cyprio

Midpoint Park, Birmingham B76 1AB. England.

Tel: +44 (0)870 850 1959  
www.hozelock.com

The Aquatics Division of Hozelock Group



## FAULT FINDING

**IMPORTANT - PLEASE KEEP THIS SECTION FOR REFERENCE**

### LOW FLOW FROM PUMP

1. Ensure filter is clean.
2. A small diameter outlet pipe will restrict outlet flow.
3. Clear any blockages and adjust stem flow control.
4. Check bearings for calcium build-up.

### NO FLOW FROM PUMP

1. Check power supply is on.
2. Check fuse and wiring.
3. Impeller assembly jammed - check rotor for damage and impeller for wear.
4. Ensure filter is clean.
5. Thermal fuse tripped.

### POOR FOUNTAIN DISPLAY

1. Clean Fountain Head (see maintenance).



**Hozelock Cyprio**  
Midpoint Park, Birmingham B76 1AB. England.

Tel: +44 (0)870 850 1959

www.hozelock.com

The Aquatics Division of Hozelock Group